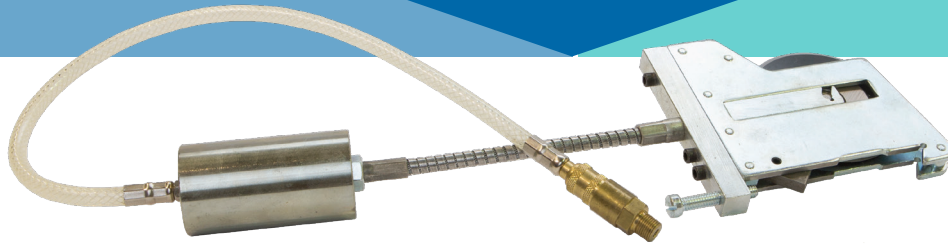


# Dusenbery Style Heavy Duty Air Holder

Parts Diagram for TGW # 54AIRHOLDHD

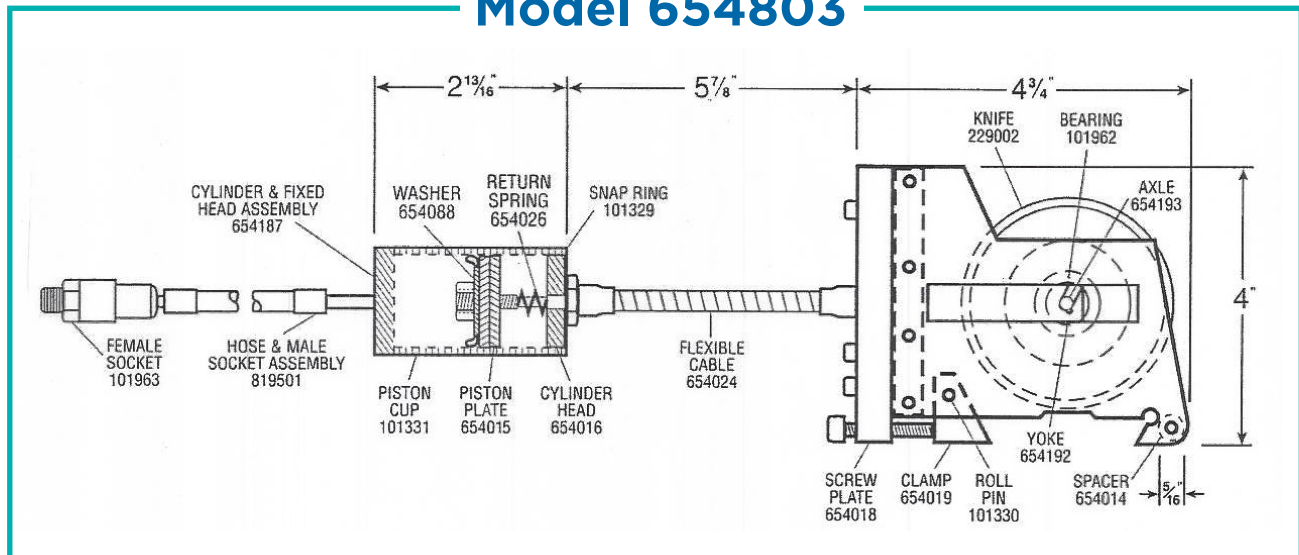


Knife Holder Assembly Part Name	TGW #
Cylinder & Fixed Head Assembly 654187	<b>680000051</b>
Washer 654088	<b>680000074</b>
Return Spring 654026	<b>680000053</b>
Snap Ring 101329	<b>680000078</b>
Knife 229002	<b>540030301</b>
Bearing 101962	<b>680000041</b>
Axle 654193	<b>680000028</b>
Female Socket 101963	<b>680000048</b>
Hose & Male Socket Assembly 819501	<b>680000046</b>

Knife Holder Assembly Part Name	TGW #
Piston Plate 654015	<b>680000073</b>
Cylinder Head 654016	<b>n/a</b>
Flexible Cable	<b>680000066</b>
Piston Cup 101331	<b>680000052</b>
Clamp 654019	<b>680000060</b>
Screw Plate 654018	<b>n/a</b>
Roll Pin 101330	<b>680000061</b>
Yoke 654192	<b>680000029</b>
Spacer 654014	<b>680000054</b>

## Dusenbery Heavy Duty Knife Holder Assembly

### Model 654803



Please call us at **1.800.407.0173** for all of your machine knife needs.

**TGW** INTERNATIONAL  
MACHINE KNIFE MANUFACTURER

Knowledge Leader. Valued Partner. Superior Quality. *Delivered.*™